

◆ A T E L I E R **FORTVNY** V E N E Z I A ◆

produced & distributed by Venetia Studium S.r.l. San Marco, 2425 . 30124 Venezia - Italy p+39 041 5236953 . info@fortuny.it  
www.fortuny.it

## FORTVNY SAMARKANDA

silk . ø 14 3/8 in. (cm 36,5)

art. 037 SK - 3

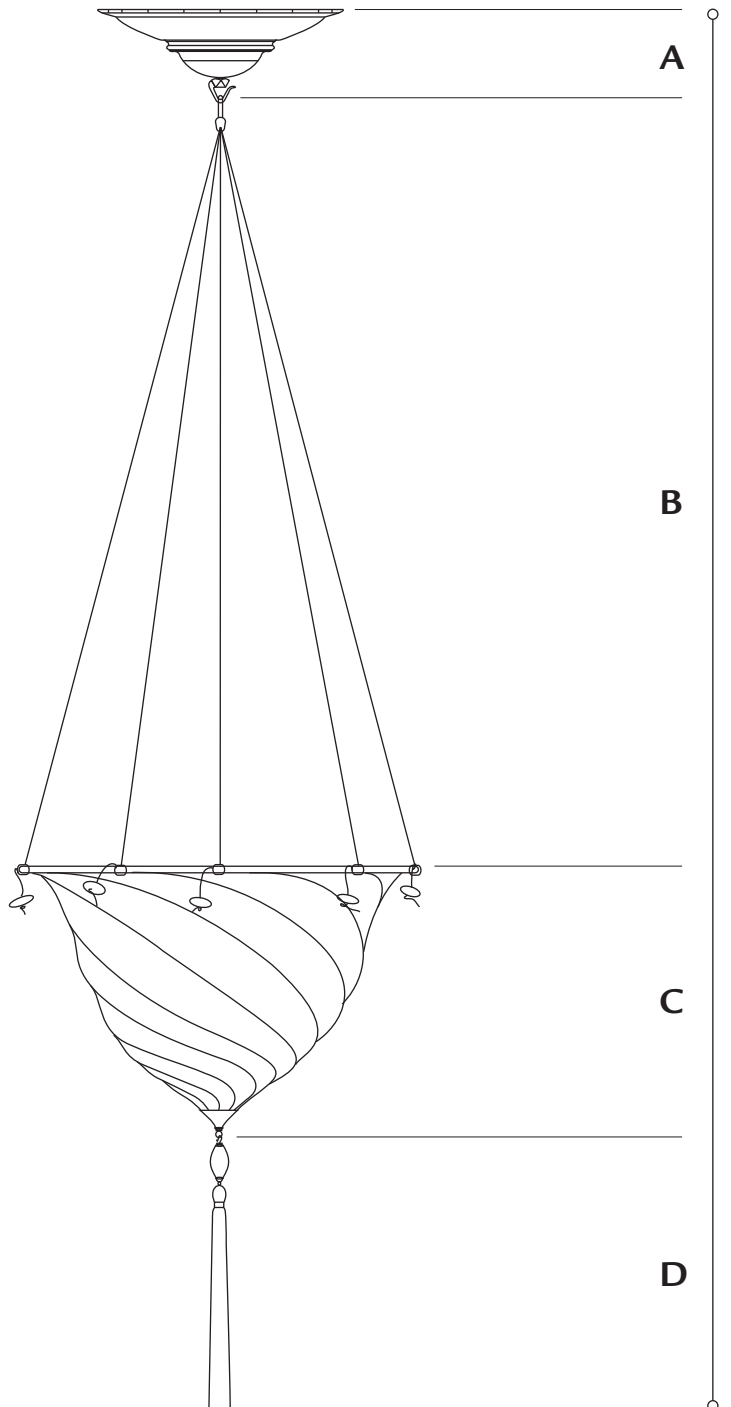
- A. ceiling attachment** ..... 4 in. (cm 10)  
(hook included)
- B. string's standard length** ..... 28 in. (cm 71)  
**minimum** ..... 13 in. (cm 33)  
**maximum** ..... 42 1/2 in. (cm 108)
- C. shade** ..... 9 1/2 in. (cm 24)  
(metal tip included)
- D. tassel** ..... 9 7/8 in. (cm 25)

- standard overall height** ..... 51 1/8 in. (cm 130)  
**minimum** ..... 36 1/4 in. (cm 92)  
**maximum** ..... 65 3/4 in. (cm 167)

weight ..... lb.2 oz.3 (1 kg)

suggested wattage ..... 1 x max 60W

voltage 110/120V: E26 socket . 220/240V: E27 socket



◆ A T E L I E R **FORTVNY** V E N E Z I A ◆

produced & distributed by Venetia Studium S.r.l. San Marco, 2425 . 30124 Venezia - Italy p+39 041 5236953 . info@fortuny.it  
www.fortuny.it

## FORTVNY SAMARKANDA

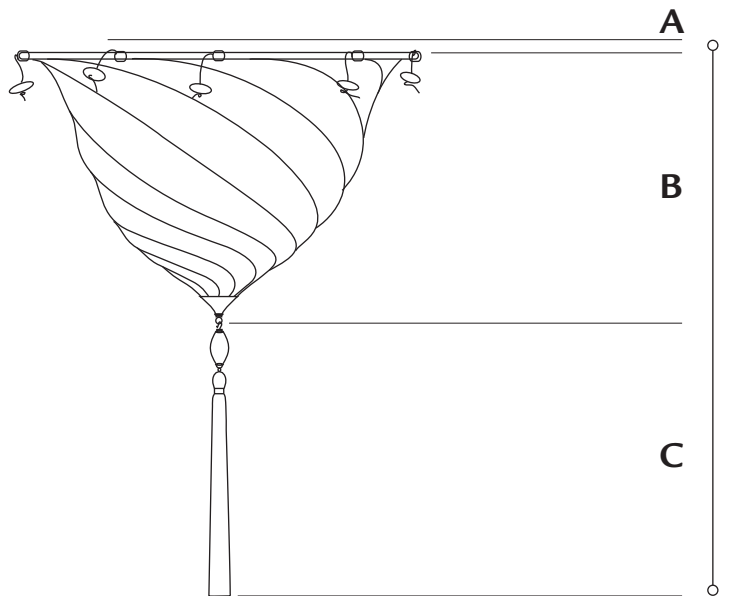
silk . ø 14 3/8 in. (cm 36,5)

art. 037 SK - 4

**A. ceiling attachment** ..... 2 in. (cm 5)

**B. shade** ..... 9 1/2 in. (cm 24)  
(metal tip included)

**C. tassel** ..... 9 7/8 in. (cm 25)



**standard overall height** ..... 21 1/4 in. (cm 54)

**weight** ..... lb.3 oz.5 (1,5 kg)

**suggested wattage** ..... 3 x max 25W

**voltage** 110/120V: E12 socket . 220/240V: E14 socket