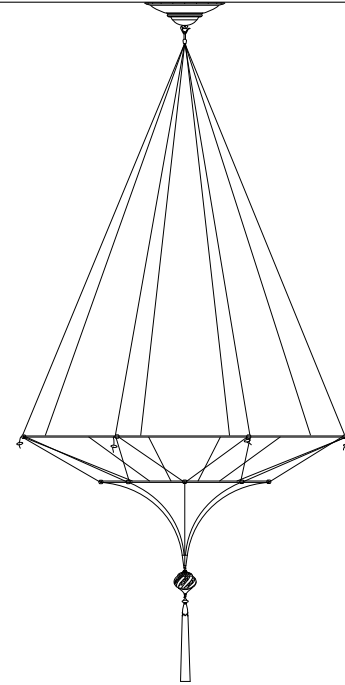

◆ ATELIER **FORTVNY** VENEZIA ◆

produced & distributed by Venetia Studium S.r.l. San Marco, 2425 - 30124 Venezia - Italy p+39 041 5236953 . info@fortuny.it
www.fortuny.it



SCHEHERAZADE 2 TIERS / art. 086 SHC-1 / silk

assembly instructions / pendant

1 x max 100w | E26 | 110-120V | 50-60 Hz



ATTENTION: do not use abrasive products to clean this lamp but only a damp cloth.

Our creations may show slight imperfections due to the special handwork required on each piece. Variations are one of the features which make each of our products an original and unique item.

IMPORTANT: keep for any possible need

GENERAL:

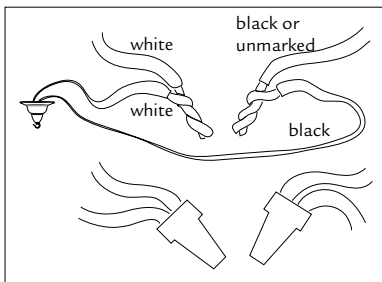
- Read all instructions and review diagrams beginning with the installation of the fixture.
- All electrical connections must be in accordance with local codes, ordinances or the National electrical code. If you are unfamiliar with methods of electrical wiring, secure the services of a qualified licensed electrician.
- These fixtures are intended to be mounted to a 4" metal octagon electrical box. The electrical box must be attached to and directly supported by the building structure.

BEFORE BEGINNING INSTALLATION:

- Turn off the electricity to the outlet box at the circuit breaker or fuse box.
- If you are replacing an existing fixture, remove the old fixture and expose the supply wiring from the outlet box.
- Remove the old cross bar from the outlet box and save the two outlet box screws.

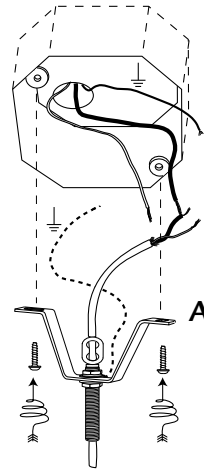
ELECTRICAL CONNECTIONS:

- While supporting the fixture, connect the white wire from the fixture to the white or marked wire of the supply circuit.
- Connect the black fixture to the black supply wire.
- Connect the ground wire - bare copper wire - to the ground conductor of the supply circuit. Secure with UL listed wire connectors suitable for the size, type and number of wires. Make sure that there are no loose strands of wire and that there are no loose connections.
- Spread the electrical wire connections apart and back into the outlet box.
- Attach the cross bar to the outlet box using the outlet box screws.

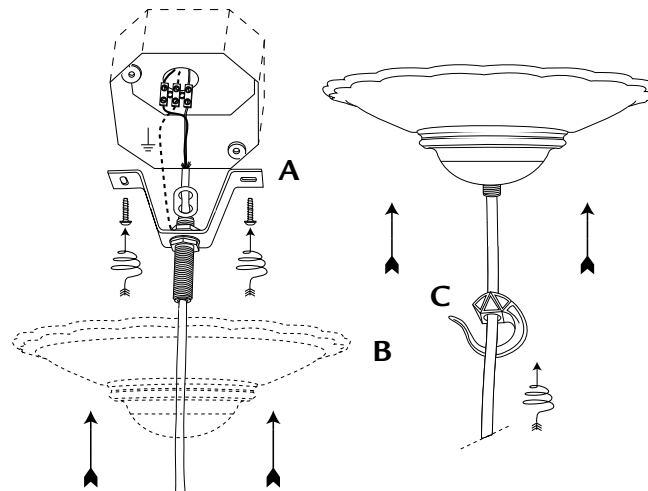


INSTALLING FIXTURE:

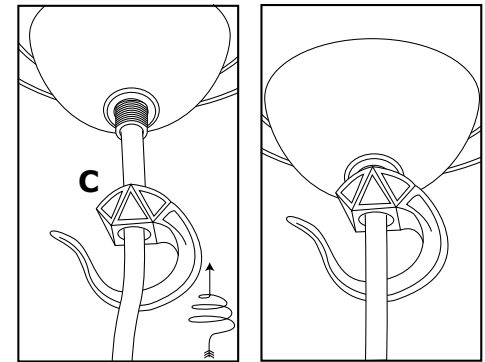
1. Before starting the installation, disconnect the power by turning off the circuit breaker.
2. Fix element **A** to the ceiling with suitable screws.



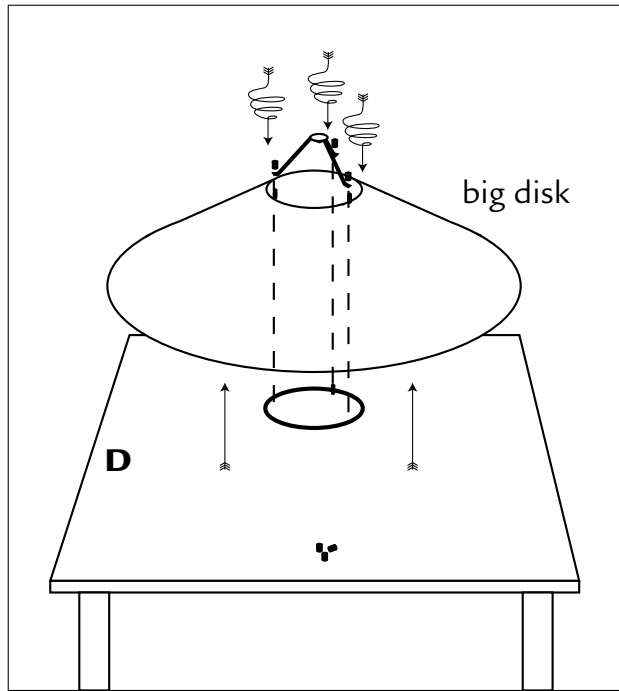
3. Make the electrical connections. Refer to the section titled Electrical Connections.
4. Place the canopy (element **B**) over the nipple.



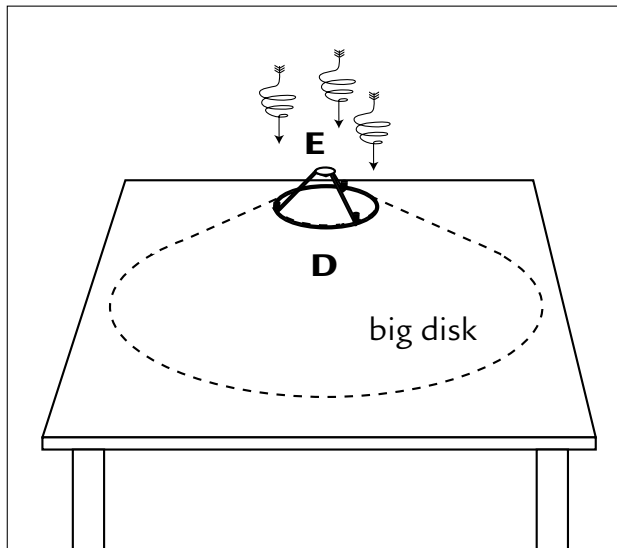
5. Screw the hook **C** onto the nipple and tighten securely.



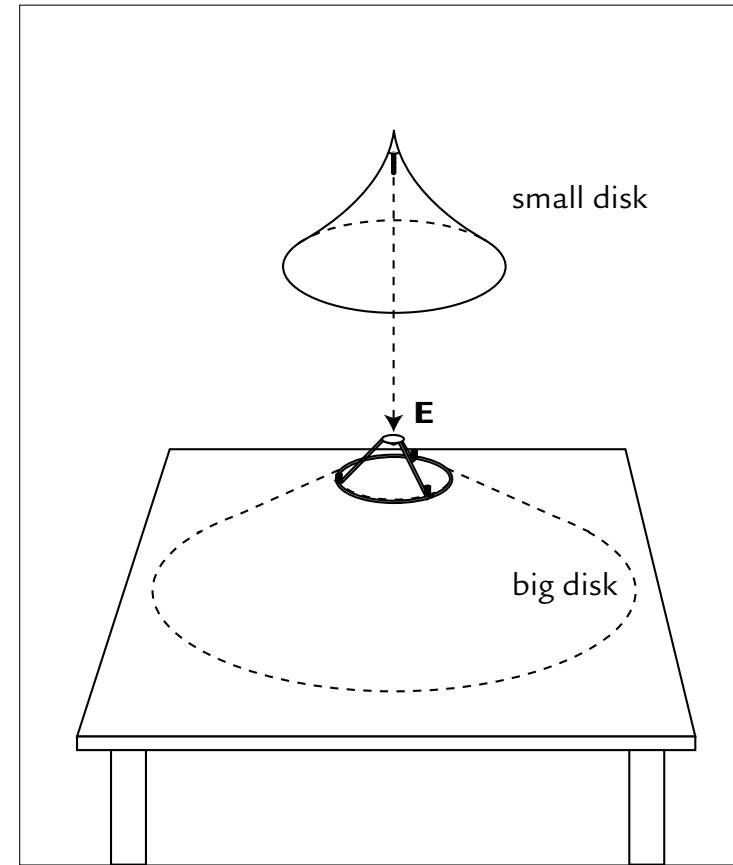
6. Install bulb. Do not exceed the maximum wattage for this fixture. Refer to the wattage warning label attached to the fixture for maximum allowable wattage.



7. Lay the big disk over element **D**.

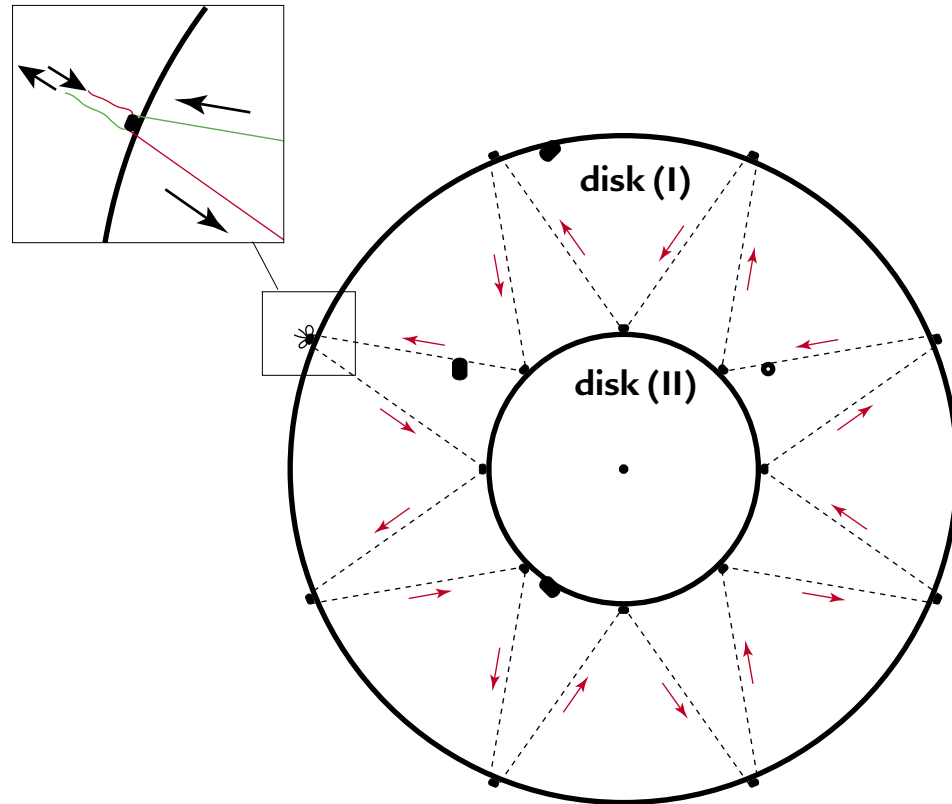


8. Insert element **E** and tighten the three screws on element **D**.



9. Screws the small disk onto element **E**.

To attach disk (I) to disk (II), pass the cord through the pearls following the path of the arrows (-----) and then make a knot.



10. You can now hang your lampshade.

structure:	brass
fabric:	pure silk, murano glass beads
weight:	lb.4 oz.14 (2,2 kg)
recommended voltage:	110/120V: E26 socket
vacuuming is recommended every few months, as keeping the lamps dust free will prolong their life.	
