

◆ ATELIER **FORTVNY** VENEZIA ◆

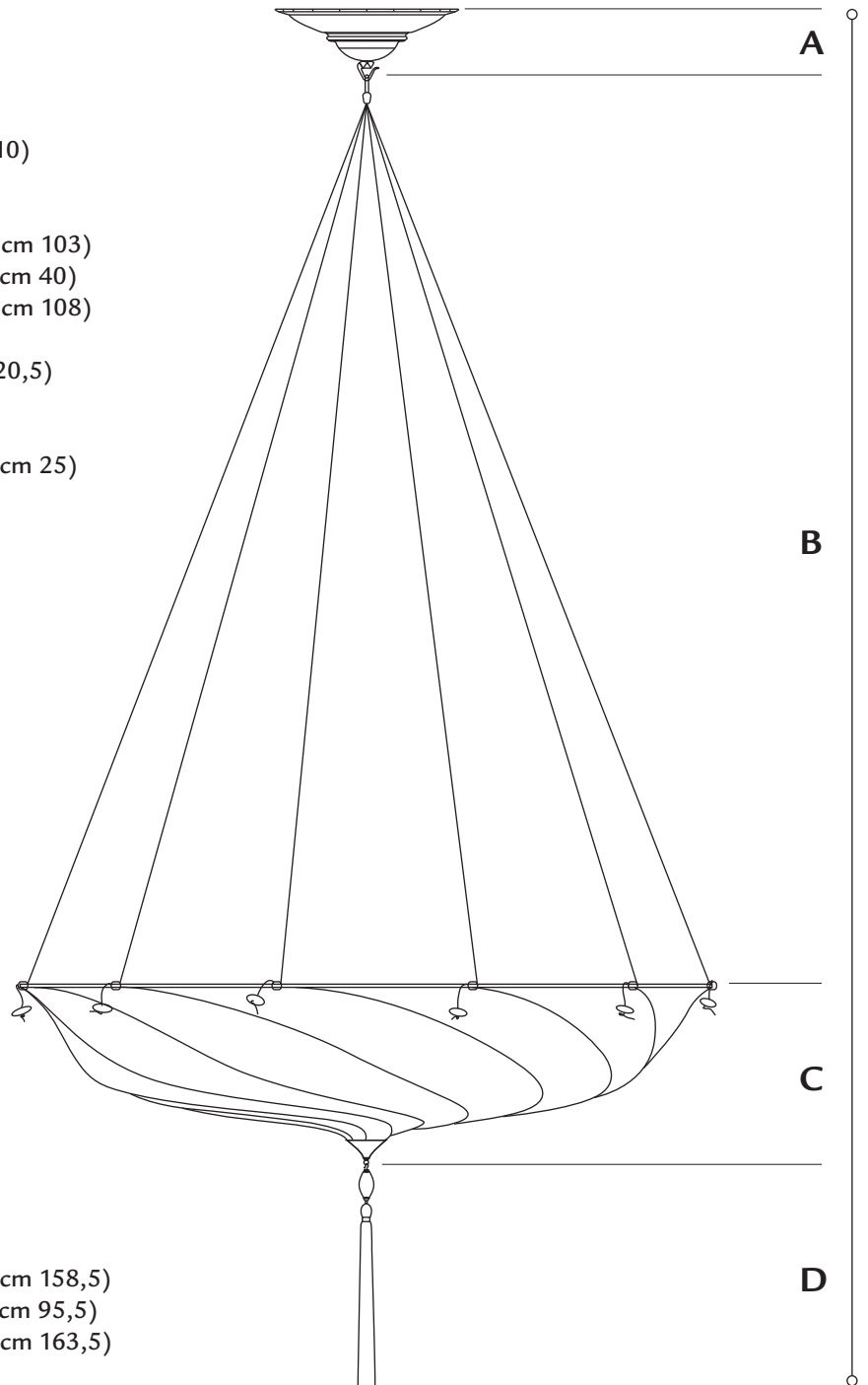
produced & distributed by Venetia Studium S.r.l. San Marco, 2425 . 30124 Venezia - Italy p+39 041 5236953 . info@fortuny.it  
www.fortuny.it

## FORTVNY SCUDO SARACENO

silk . large size  $\varnothing$  30 7/8 in. (cm 78,5)

art. 079 SA - 3

- A. ceiling attachment** ..... 4 in. (cm 10)  
(hook included)
- B. string's standard length** ..... 40 1/2 in. (cm 103)  
**minimum** ..... 15 3/4 in. (cm 40)  
**maximum** ..... 42 1/2 in. (cm 108)
- C. shade** ..... 8 in. (cm 20,5)  
(metal tip included)
- D. tassel** ..... 9 7/8 in. (cm 25)



- standard overall height** ..... 62 3/8 in. (cm 158,5)
- minimum** ..... 37 5/8 in. (cm 95,5)
- maximum** ..... 64 3/8 in. (cm 163,5)

weight ..... lb.4 oz.7 (2 kg)

suggested wattage ..... 1 x max 75W

voltage 110/120V: E26 socket . 220/240V: E27 socket

◆ A T E L I E R **FORTVNY** V E N E Z I A ◆

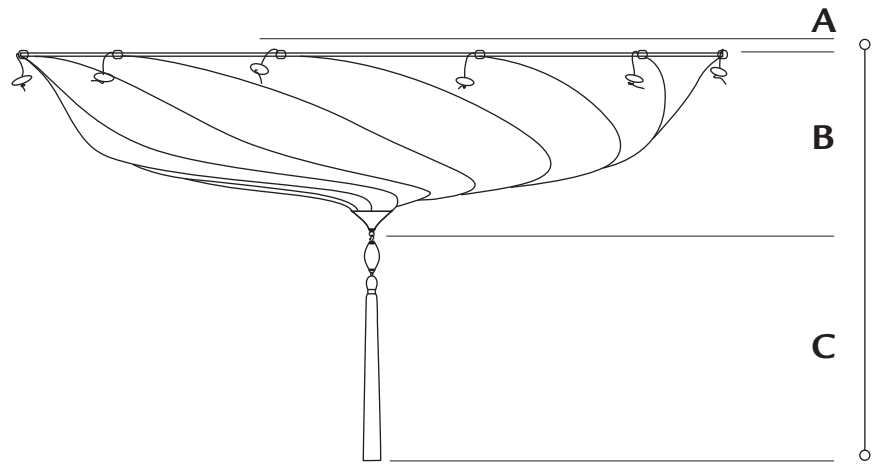
produced & distributed by Venetia Studium S.r.l. San Marco, 2425 . 30124 Venezia - Italy p+39 041 5236953 . info@fortuny.it  
www.fortuny.it

## FORTVNY SCUDO SARACENO

silk . large size ø 30 7/8 in. (cm 78,5)

art. 079 SA - 4

- A. ceiling attachment** ..... 1 3/4 in. (cm 4,5)
- C. shade** ..... 8 in. (cm 20,5)  
(metal tip included)
- D. tassel** ..... 9 7/8 in. (cm 25)



**standard overall height** ..... 19 3/4 in. (cm 50)

**weight** ..... lb.5 oz.8 (2,5 kg)

**suggested wattage** ..... 3 x max 60W

**voltage** 110/120V: E12 socket . 220/240V: E14 socket