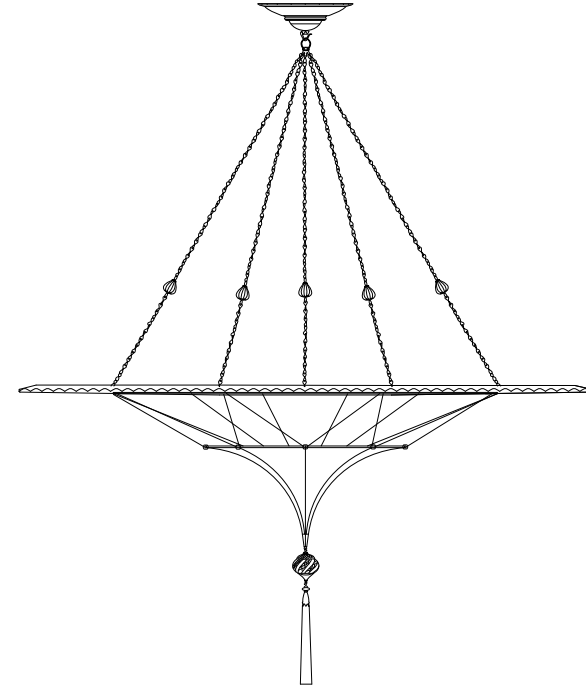

◆ ATELIER FORTVNY VENEZIA ◆

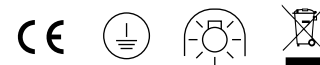
produced & distributed by Fortuny S.r.l. San Marco, 2425 - 30124 Venezia - Italy p+39 041 5236953 . info@fortuny.it
www.fortuny.it



SCHEHERAZADE 2 TIERS / art. 125 SHC-1 / silk

assembly instructions / suspended

LED | 1 x MAX 15W | E27 | 220-240V | 50-60 Hz



ATTENTION: do not use abrasive products to clean this lamp but only a damp cloth.

Our creations may show slight imperfections due to the special handwork required on each piece. Variations are one of the features which make each of our products an original and unique item.

IMPORTANT: keep for any possible need

GENERAL:

- Read all instructions and review diagrams beginning with the installation of the fixture.
- All electrical connections must be in accordance with local codes, ordinances or national codes. If you are unfamiliar with methods of electrical wiring, secure the services of a qualified licensed electrician.

BEFORE BEGINNING INSTALLATION:

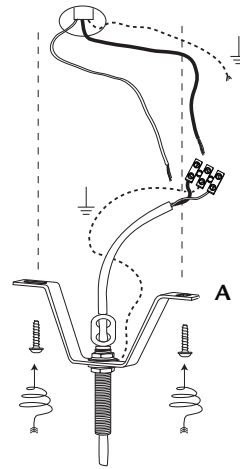
- Turn off the electricity to the outlet box at the circuit breaker or fuse box.
- If you are replacing an existing fixture, remove the old fixture and expose the supply wiring.
- Remove the old cross bar.

ELECTRICAL CONNECTIONS:

- Connect the blue wire from the fixture to the blue wire of the supply circuit.
- Connect the brown wire from the fixture to the brown supply wire. Connect the ground wire - yellow/green - to the ground conductor of the supply circuit. Make sure that there are no loose strands of wire and that there are no loose connections.

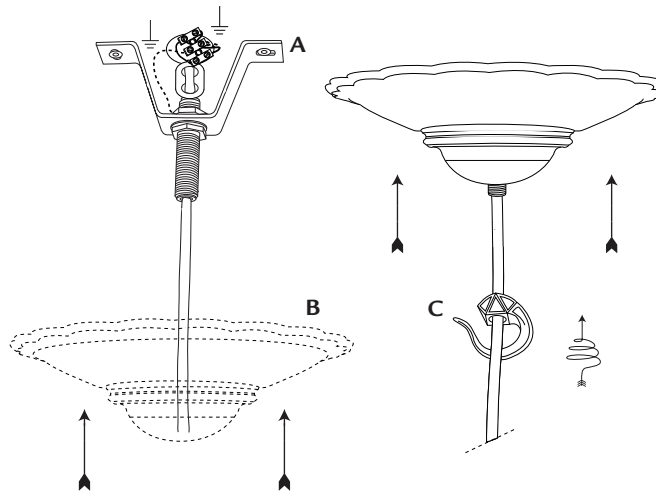
INSTALLING FIXTURE:

1. Before starting the installation, disconnect the power.
2. Fix element **A** to the ceiling with suitable screws.

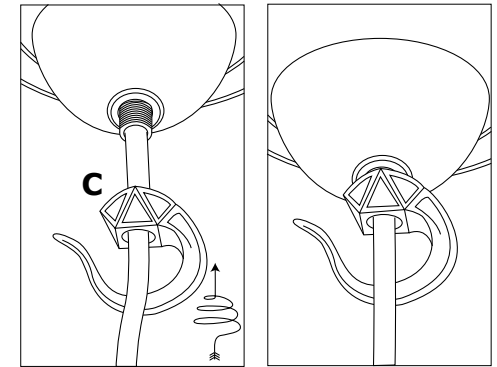


3. Make the electrical connections.
Refer to the section titled Electrical Connections.

4. Place the canopy (element **B**) over the nipple.



5. Screw the hook **C** onto the nipple and tighten securely.

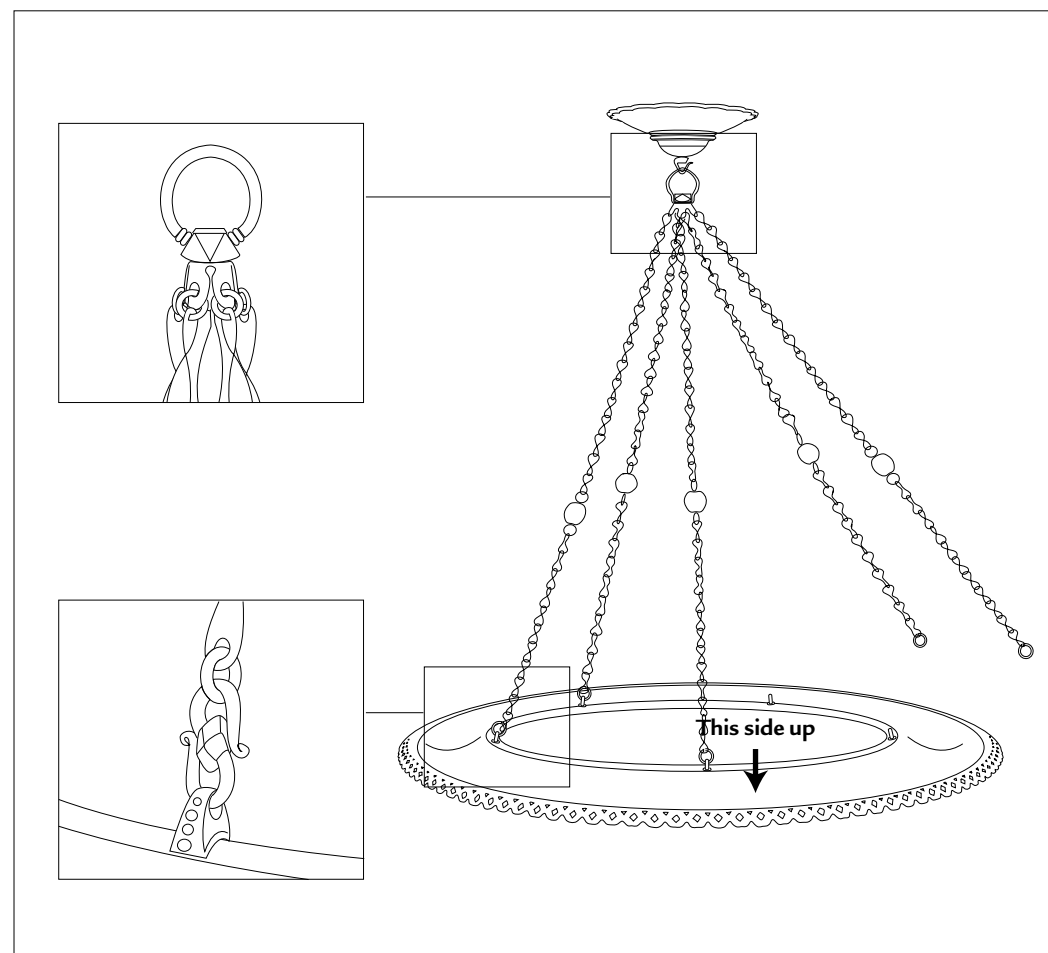
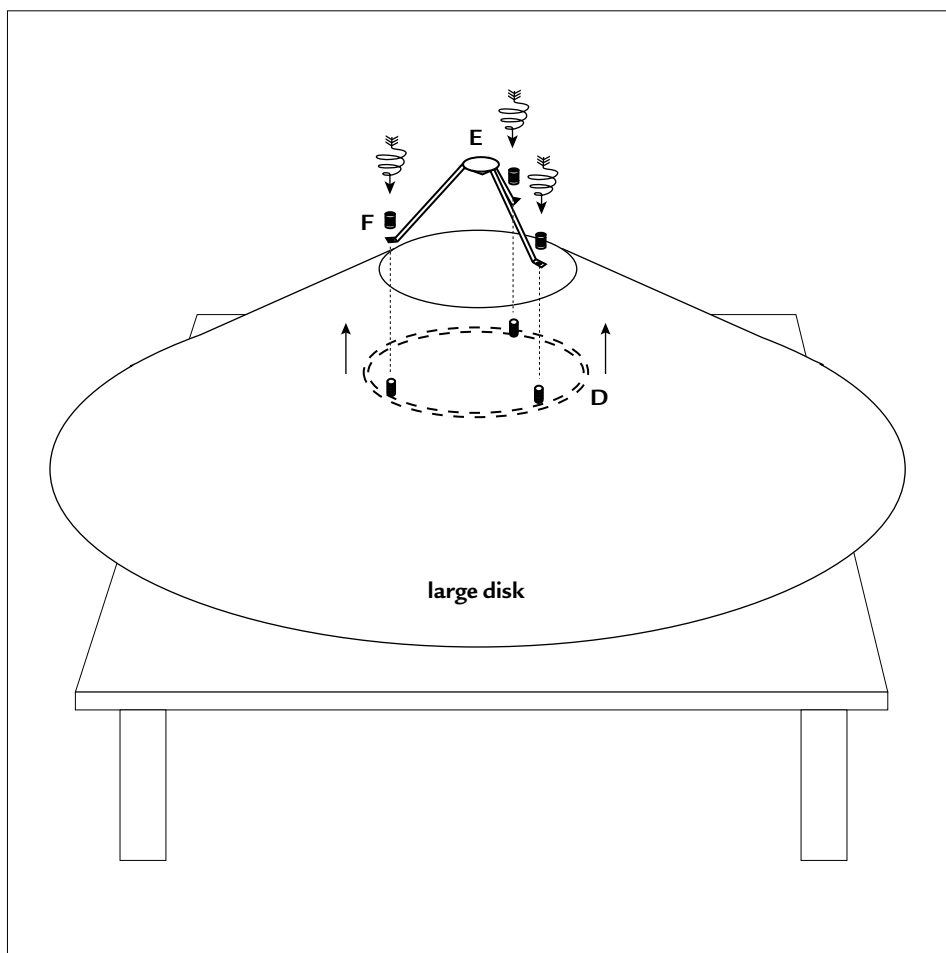


6. Install bulb. Do not exceed the maximum wattage for this fixture.
Refer to the wattage warning label attached to the fixture for maximum allowable wattage.

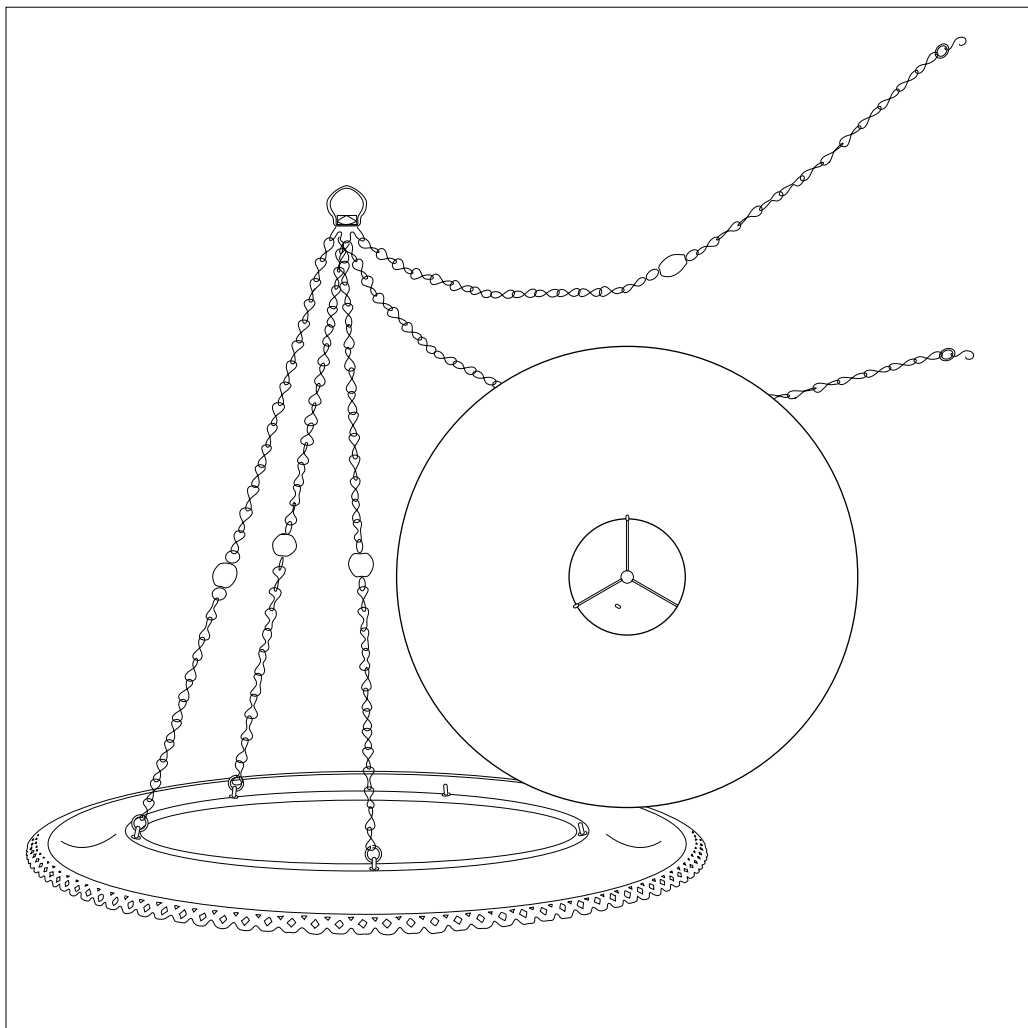
7. Lay the element **D** over a flat clean surface, then lay large disk over element **D** with the larger circumference facing down.

Insert element **E** and tighten the three screws **F** on element **D**.
Make sure that element **D** and **E** are safely fixed to the large disk.

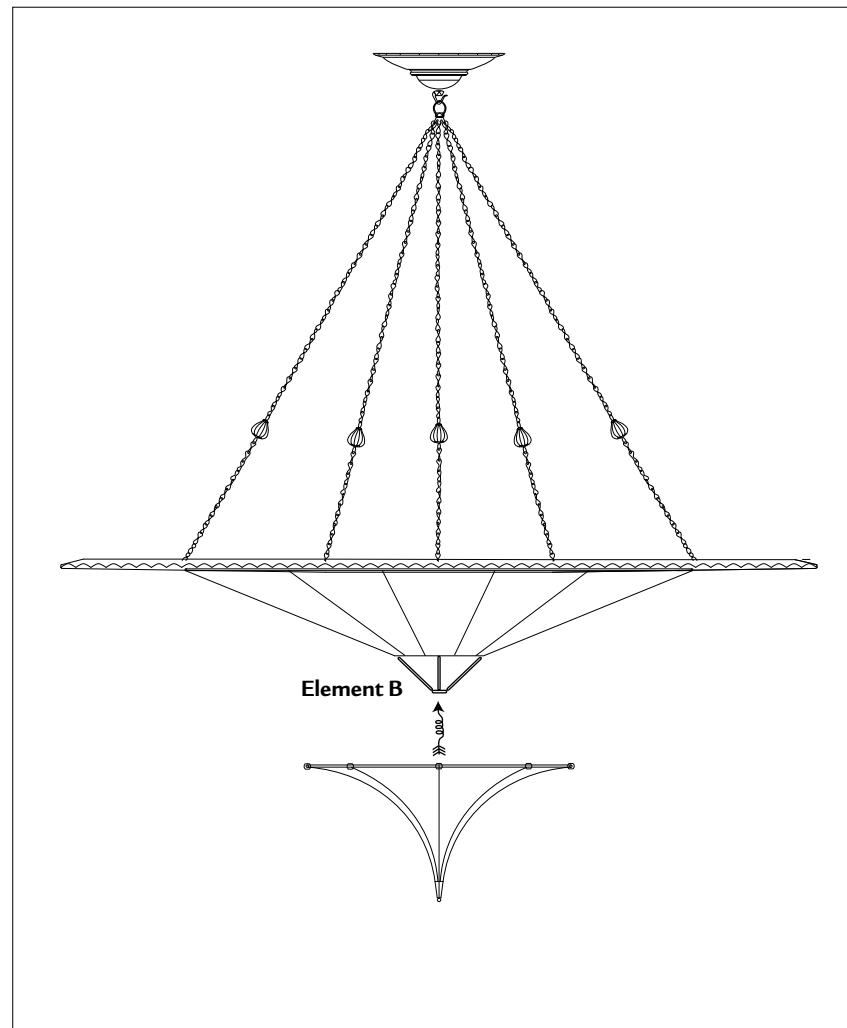
8. Hang the metal ring to the ceiling as shown.



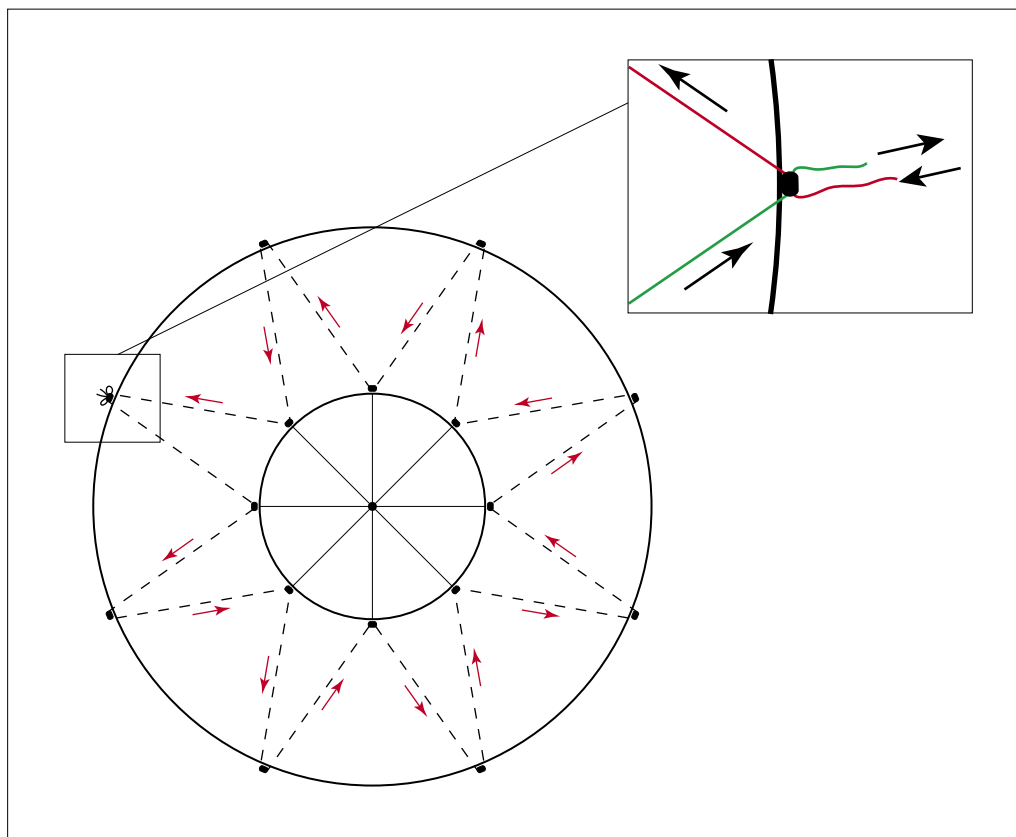
9. Insert the lampshade through the cords as shown in the picture.



10. Screw the small disk onto element B.



Connect the medium disk with small disk using the set of cords provided.
To attach medium disk to small disk, pass the cord through the pearls following the path of the arrows (- - -) and then make a knot.



CLEANING AND MAINTENANCE

The decoration is **handmade**.

Never use sharp tools, rings, or other objects when installing or cleaning the lamp, as they may irreparably damage it.

Remove dust gently with soft brush only.

FORTVNY SCHEHERAZADE silk 2-tier with metal ring is made by highly skilled artisans with quality inspections made in all the phases of production.

Every lamp, no matter how similar it may look to another, is completely unique. No two pieces are identical.

The decoration is carefully checked. Marks are not to be considered defects, but rather features that make each lamp unique and authentic and proof of high quality craftsmanship.

CARE INSTRUCTIONS

Do not use polishes or cleaners on the fixture.

Wipe clean with a soft, dry cloth.

11. Hang the hook of the glass drop into the ring of the small disk.

12. Restore the electricity and test.