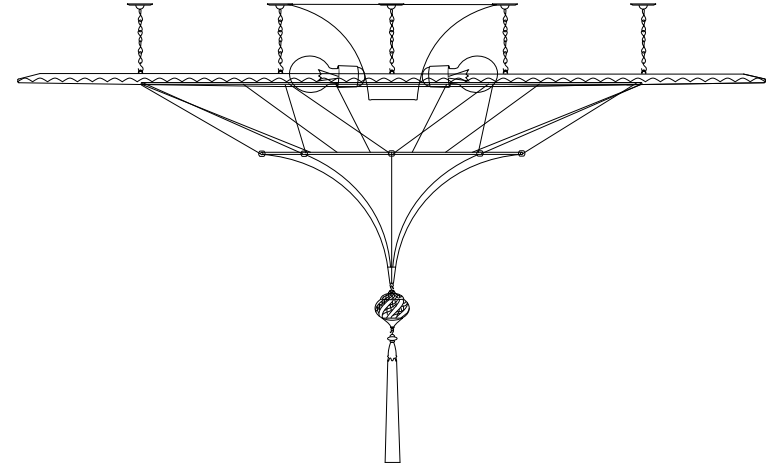


---

◆ ATELIER FORTVNY VENEZIA ◆

produced & distributed by Fortuny S.r.l. San Marco, 2425 - 30124 Venezia - Italy p+39 041 5236953 . info@fortuny.it  
www.fortuny.it

---



---

SCHEHERAZADE 2 TIERS / art. 125 SHC-2 / silk

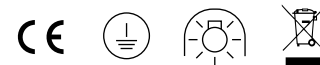
---

assembly instructions / semiflush

---

LED | 5 x MAX 7W | E27 | 220-240V | 50-60 Hz

---



---

ATTENTION: do not use abrasive products to clean this lamp but only a damp cloth.

---

Our creations may show slight imperfections due to the special handwork required on each piece. Variations are one of the features which make each of our products an original and unique item.

---

---

IMPORTANT: keep for any possible need

---

## GENERAL:

- Read all instructions and review diagrams beginning with the installation of the fixture.
- All electrical connections must be in accordance with local codes, ordinances or national codes. If you are unfamiliar with methods of electrical wiring, secure the services of a qualified licensed electrician.

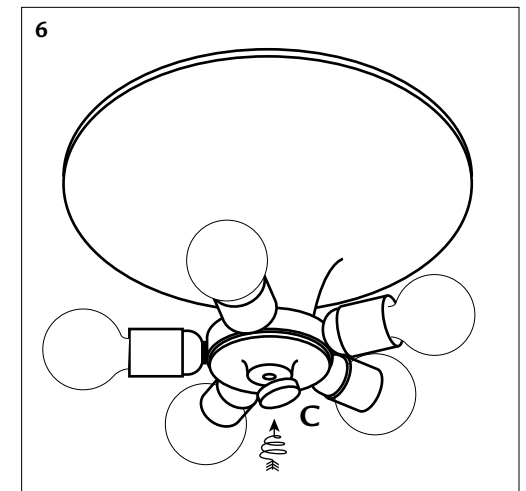
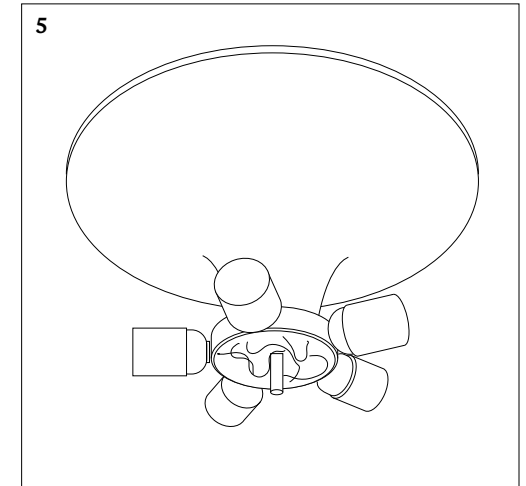
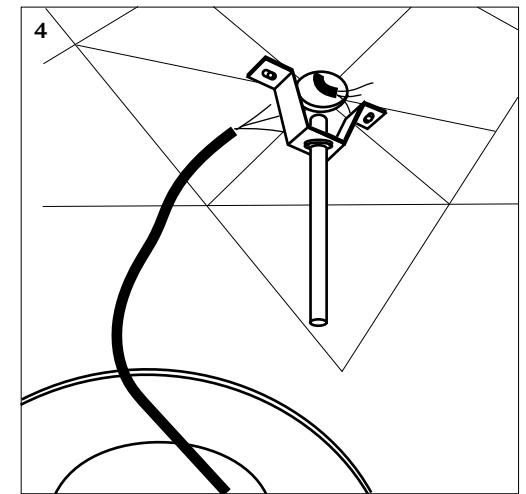
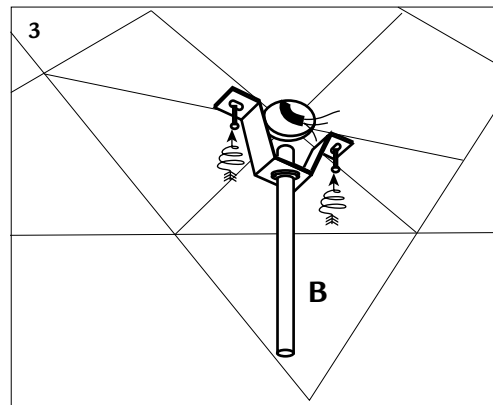
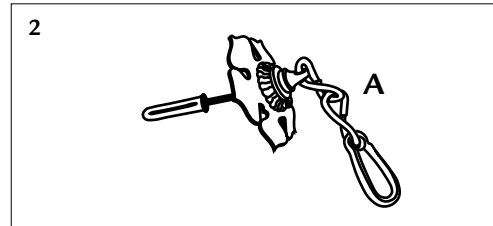
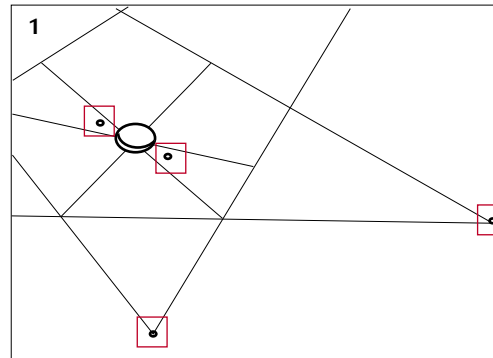
## BEFORE BEGINNING INSTALLATION:

- Turn off the electricity to the outlet box at the circuit breaker or fuse box.
- If you are replacing an existing fixture, remove the old fixture and expose the supply wiring.
- Remove the old cross bar.

## ELECTRICAL CONNECTIONS:

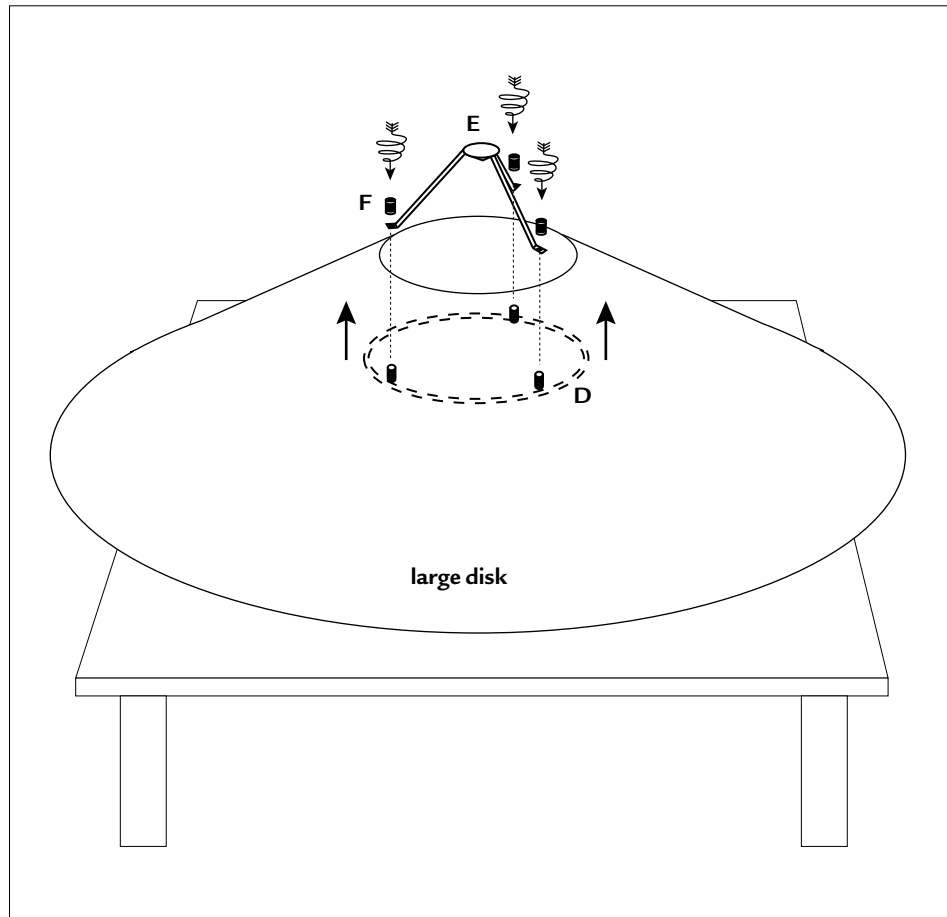
- Connect the blue wire from the fixture to the blue wire of the supply circuit.
- Connect the brown wire from the fixture to the brown supply wire. Connect the ground wire - yellow/green - to the ground conductor of the supply circuit. Make sure that there are no loose strands of wire and that there are no loose connections.

1. Place the template to the ceiling and mark the 5 external spots + the 2 central ones.
2. Remove the template and pierce the marked spots. Insert the plugs **A** in the 5 external holes and screw to fix.
3. Fix the bracket **B** to the ceiling.
4. Make electrical connections.
5. Fix the ceiling attachment by means of the screw **C**.
6. Screw the 5 light bulbs.

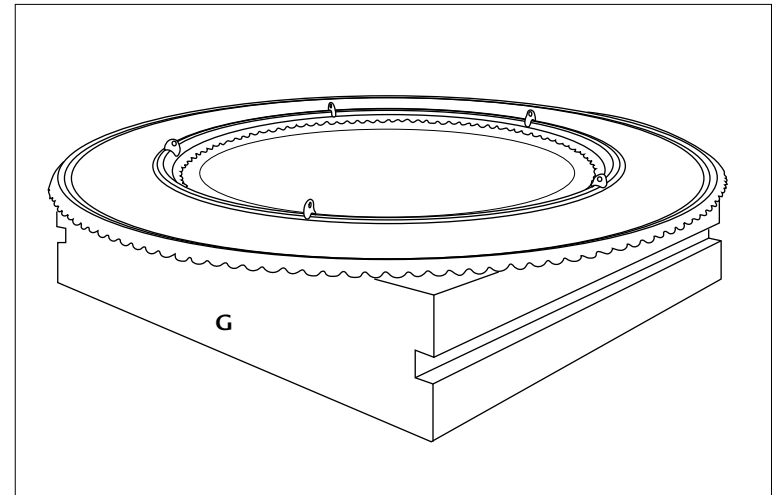


7. Lay the element **D** over a flat clean surface, then lay large disk over element **D** with the larger circumference facing down.

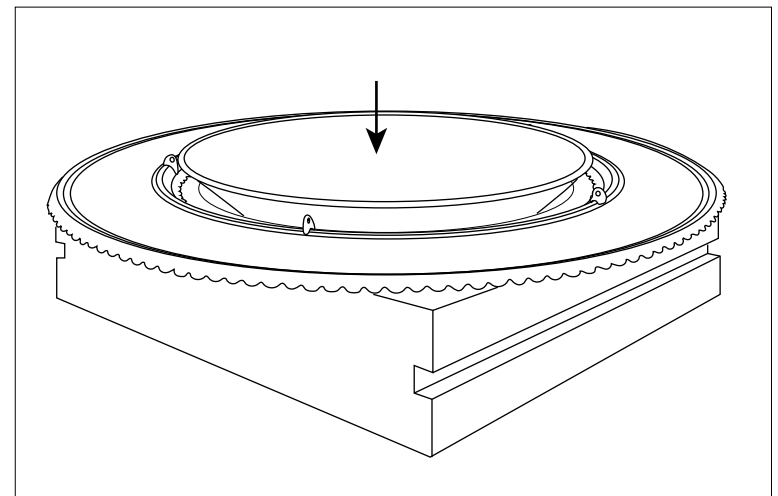
Insert element **E** and tighten the three screws **F** on element **D**. Make sure that elements **D** and **E** are safely fixed to the large disk.



8. Lay the metal ring over the polystyrene **G**.



9. Carefully lay the silk shade over the metal ring.



10. 2/3 persons should now raise the entire lamp (metal ring and silk shade).  
Hook the 5 carabiners pending from chains to the corresponding hooks **H** of the metal ring.

11. Screw the small disk onto element **E**.

12. To attach the fixture to the metal ring pass the cord through the 8 beads of the small disk and the 8 hooks of the metal ring as shown.

13. Suspend the tassel. The lamp is completely mounted.  
Turn the electricity back on.

